



DATASHEET

of SAW Devices

SAW Filter

Automotive telematics

Part Number: SXCF1582RJNSC11

- Package Dimensions
- Testing Environment
- Electrical Characteristics
- Frequency Characteristics
- Remark and Packing
- Description

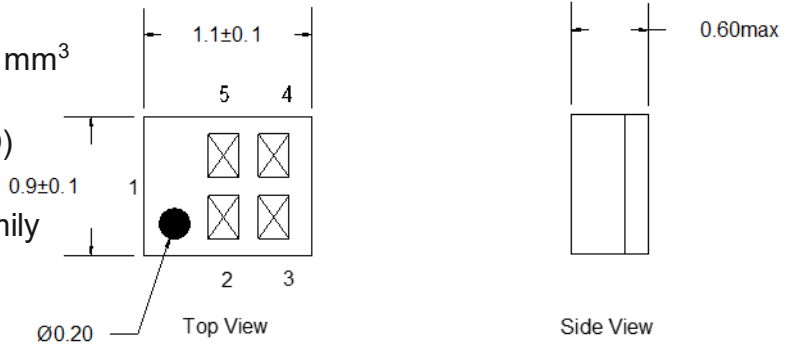
SAW Components	SAW Filter
SAW Filters	SXCF1582RJNSC11

Revision Record

Revision Number	Date	Description
SXCF1582RJNSC11_V1.0	2025-06-14	Version 1.0
SXCF1582RJNSC11_V1.1	2025-06-19	Version 1.1(DC Voltage)
SXCF1582RJNSC11_V1.2	2025-07-22	Version 1.2(Marking)
SXCF1582RJNSC11_V1.3	2025-07-25	Version 1.3(Marking&Description)

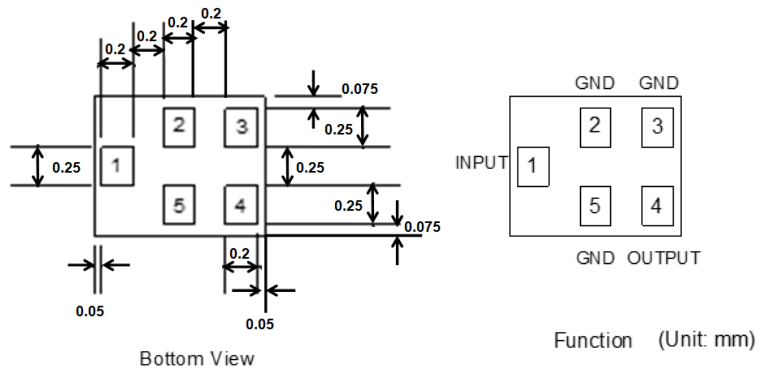
Features

- Package size 1.1 x 0.9 x 0.6(max.) mm³
- RoHS compatible
- **E**lectrostatic **S**ensitive **D**evice (ESD)
- **M**oisture **S**ensitivity **L**evel 2
- AEC-Q200 qualified component family
 (Grade 2: -40°C to +105°C)



Pin Configuration

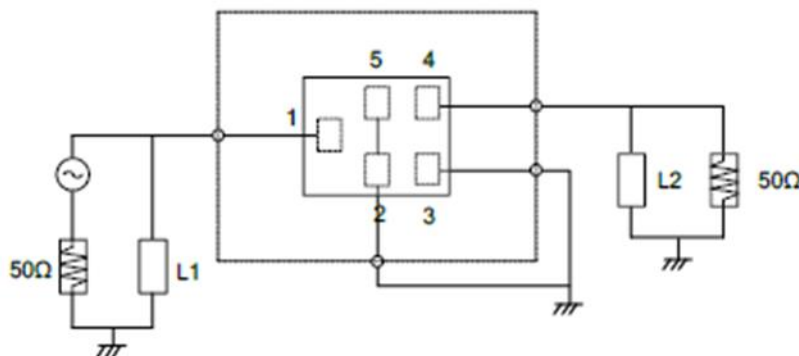
- 1 Unbalanced port
- 4 Unbalanced port
- Others: GND



Marking

- XX(The first row): **JM**
- XX(The second row): Date Code
 (Please refer to the last page for the information of Date Code.)

Measurement Circuit (Top Thru View)



Parameter Name	Value
L1	/
L2	13nH

Maximum Ratings

Characteristics		Ratings	Unit
Operable Temperature Range	T	-40 to +105	°C
Storage Temperature Range	T _{stg}	-40 to +105	°C
DC Voltage	V _{DC}	5	V
Input Power Level	P	15	dBm
ESD Voltage(MM)	V _{MM}	50	V
ESD Voltage(HBM)	V _{HBM}	175	V

Characteristics

Temperature range for specification: -40 to +105°C

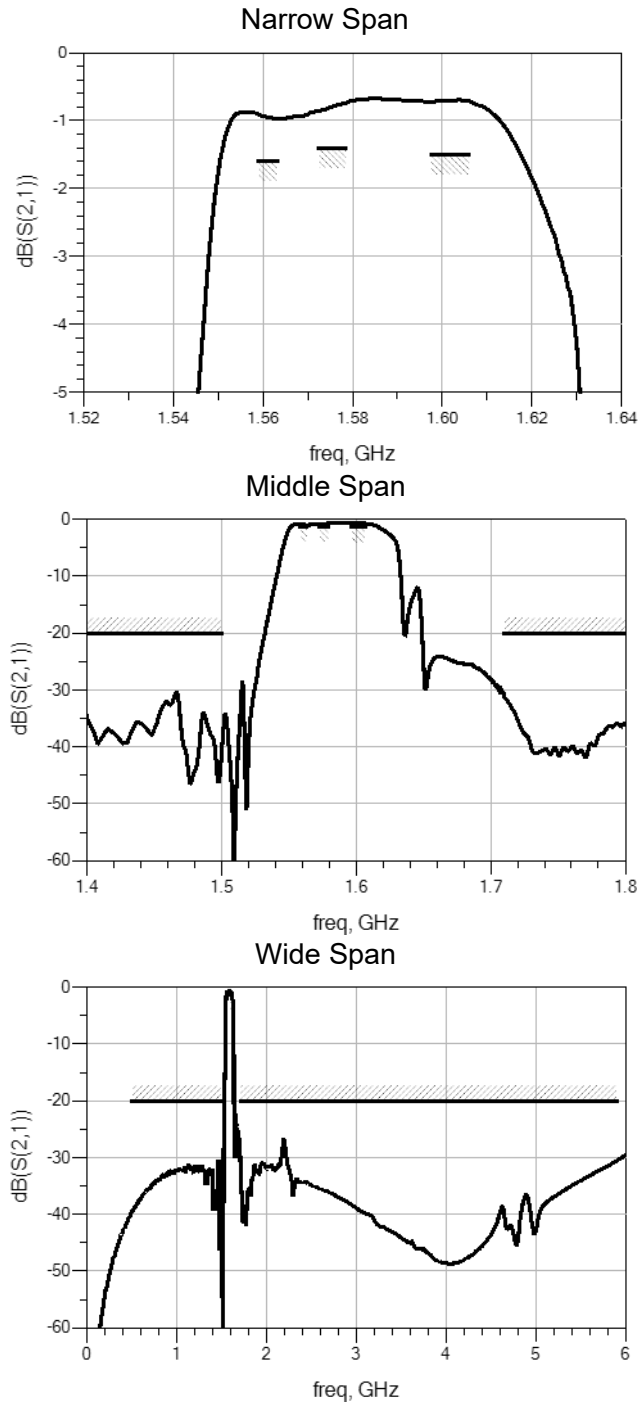
Terminal source impedance: 50Ω

Terminal load impedance: 50Ω // 13nH

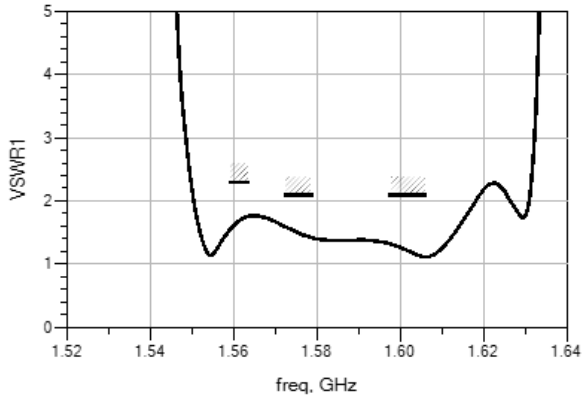
Item	Frequency Range [MHz]	Characteristics			Unit
		min.	typ.	max.	
Insertion Loss	1559.05 – 1563.15	-	1.0	1.6	dB
	1572.42 – 1578.42	-	0.8	1.4	dB
	1597.55 – 1605.89	-	0.8	1.5	dB
Ripple Deviation	1559.05 – 1563.15	-	0.2	0.6	dB
	1572.42 – 1578.42	-	0.1	0.4	dB
	1597.55 – 1605.89	-	0.2	0.6	dB
VSWR	1559.05 – 1563.15	-	1.8	2.3	
	1572.42 – 1578.42	-	1.5	2.1	
	1597.55 – 1605.89	-	1.4	2.1	
Absolute Attenuation	500 – 1500	20	28	-	dB
	1710 – 5900	20	27	-	dB

1. Evaluation Board Feed line loss is de-embedded.

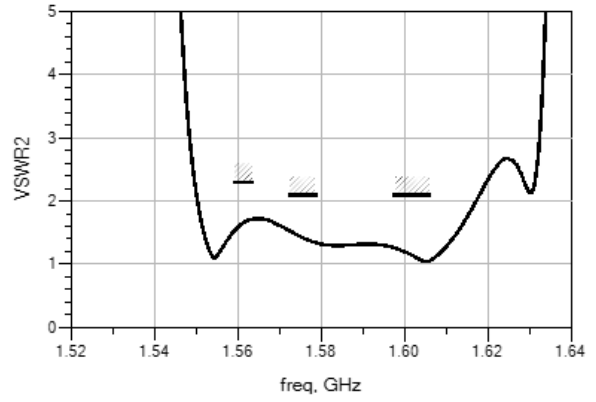
Frequency Characteristics



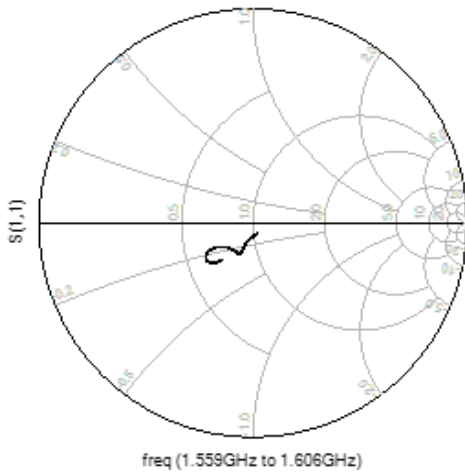
S11 VSWR



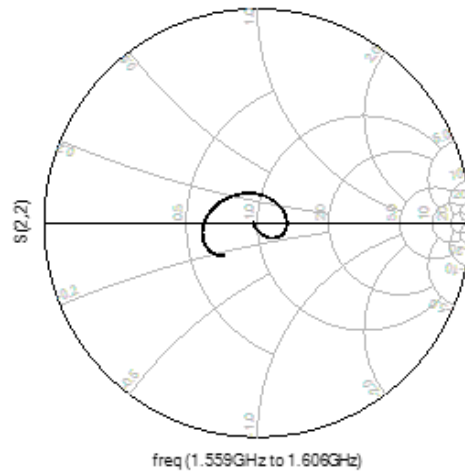
S22 VSWR



S11 Smith Chart



S22 Smith Chart

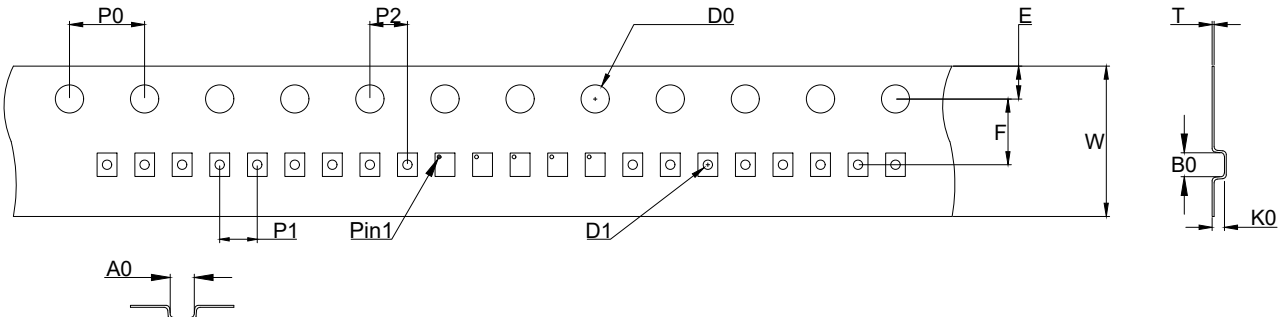


Remarks

1. Please be certain not to apply voltage above the rated voltage of SAW components.
2. Please be sure that the components are operated within the specified operating temperature range.
3. Abrupt temperature change shall be avoided because deterioration of the component characteristics can occur under that situation.
4. Please be careful of soldering temperature when soldering.
5. Please do not place soldering iron on the body of components.
6. Please be careful not to subject the terminals or leads of components to excessive force.

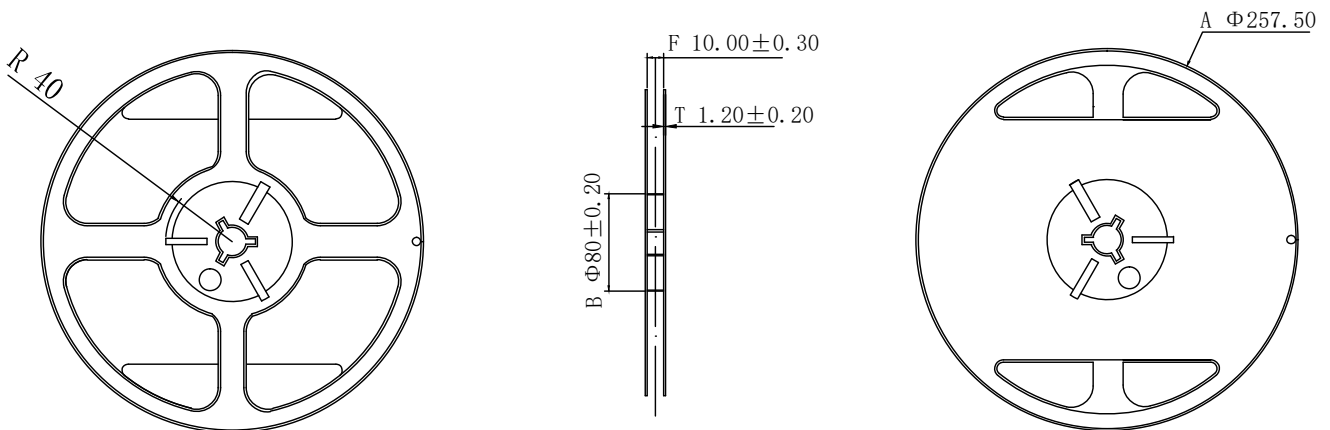
Packing Information

Tape(Unit: mm)



Size	P0	P1	P2	D0	D1	E	F	W	A0	B0	K0	T
Value	4.00	2.00	2.00	Φ1.50	Φ0.50	1.75	3.50	8.00	0.95	1.15	0.68	0.20
Tolerance	±0.10	±0.10	±0.05	±0.10	±0.10	±0.10	±0.05	±0.30	±0.05	±0.05	±0.04	±0.03

Reel: 10000pcs/Reel(Standard Size)



Description of Date Code

A. Month Code:

2022	Jan.	Feb.	Mar.	Apr.	May.	Jun.	Jul.	Aug.	Sep.	Oct.	Nov.	Dec.
2026	A	B	C	D	E	F	G	H	J	K	L	M
2030												
2023	Jan.	Feb.	Mar.	Apr.	May.	Jun.	Jul.	Aug.	Sep.	Oct.	Nov.	Dec.
2027	N	P	Q	R	S	T	U	V	W	X	Y	Z
2031												
2024	Jan.	Feb.	Mar.	Apr.	May.	Jun.	Jul.	Aug.	Sep.	Oct.	Nov.	Dec.
2028	a	b	€	d	e	f	g	h	j	k	l	ᄁ
2032												
2025	Jan.	Feb.	Mar.	Apr.	May.	Jun.	Jul.	Aug.	Sep.	Oct.	Nov.	Dec.
2029	n	O	ᄁ	q	r	ş	t	ū	ÿ	w	ÿ	y
2033												

B. Date Code:

1	2	3	4	5	6	7	8	9	10	
A	B	C	D	E	F	G	H	J	K	
11	12	13	14	15	16	17	18	19	20	
L	M	N	P	Q	R	S	T	U	V	
21	22	23	24	25	26	27	28	29	30	31
W	X	Y	Z	a	b	€	d	e	f	g

Recommended Soldering Profile

